

Capsule element pressure gauges // Type MKE



Type MKE

Your advantages

Type	MKE
	<ul style="list-style-type: none"> • Case complete stainless steel • Without electrical auxiliary power

Technical data

Type	MKE
Version	Bayonet ring case
Nominal size	63 mm, 100 mm, 160 mm
Accuracy	EN 837-1, class 1.6
Medium / Application	Dry, gaseous media at low pressures up to 600 mbar
Process connection	Thread see table, brass or stainless steel
Measurement system	Capsule spring made of copper beryllium alloy, optionally stainless steel
Degree of protection according to EN 60529	IP44 (unfilled for NG 63 mm with bottom connection), IP54 (filled and unfilled)
Ambient temperature	-40 to 60 °C (-20 bis 60 °C with case filling)
Storage temperature	-40 to 70 °C (-20 bis 70 °C with case filling)
Medium temperature	Max. 100 °C (max. 70 °C with case filling)
Nominal use temperature	20 °C*
Pressure load capacity	Of full-scale value
→ Resting load	100 %
→ Dynamic load	90 %
→ Overload	130 %

Архангельск (8182)63-90-72
 Астана (7172)727-132
 Астрахань (8512)99-46-04
 Барнаул (3852)73-04-60
 Белгород (4722)40-23-64
 Брянск (4832)59-03-52
 Владивосток (423)249-28-31
 Волгоград (844)278-03-48
 Вологда (8172)26-41-59
 Воронеж (473)204-51-73
 Екатеринбург (343)384-55-89
 Иваново (4932)77-34-06

Ижевск (3412)26-03-58
 Иркутск (395)279-98-46
 Казань (843)206-01-48
 Калининград (4012)72-03-81
 Калуга (4842)92-23-67
 Кемерово (3842)65-04-62
 Киров (8332)68-02-04
 Краснодар (861)203-40-90
 Красноярск (391)204-63-61
 Курск (4712)77-13-04
 Липецк (4742)52-20-81
 Киргизия (996)312-96-26-47

Магнитогорск (3519)55-03-13
 Москва (495)268-04-70
 Мурманск (8152)59-64-93
 Набережные Челны (8552)20-53-41
 Нижний Новгород (831)429-08-12
 Новокузнецк (3843)20-46-81
 Новосибирск (383)227-86-73
 Омск (3812)21-46-40
 Орел (4862)44-53-42
 Оренбург (3532)37-68-04
 Пенза (8412)22-31-16
 Казахстан (772)734-952-31

Пермь (342)205-81-47
 Ростов-на-Дону (863)308-18-15
 Рязань (4912)46-61-64
 Самара (846)206-03-16
 Санкт-Петербург (812)309-46-40
 Саратов (845)249-38-78
 Севастополь (8692)22-31-93
 Симферополь (3652)67-13-56
 Смоленск (4812)29-41-54
 Сочи (862)225-72-31
 Ставрополь (8652)20-65-13
 Таджикистан (992)427-82-92-69

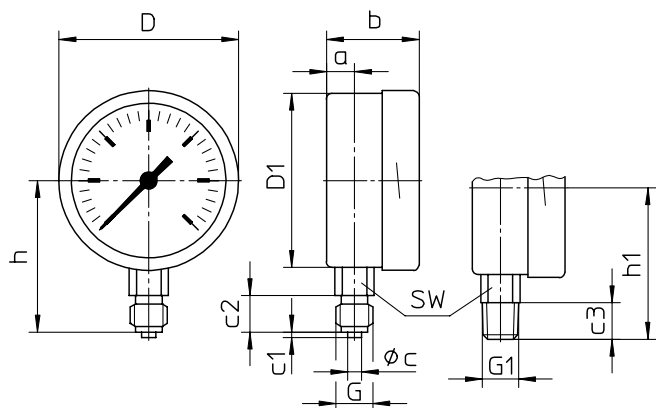
Сургут (3462)77-98-35
 Тверь (4822)63-31-35
 Томск (3822)98-41-53
 Тула (4872)74-02-29
 Тюмень (3452)66-21-18
 Ульяновск (8422)24-23-59
 Уфа (347)229-48-12
 Хабаровск (4212)92-98-04
 Челябинск (351)202-03-61
 Череповец (8202)49-02-64
 Ярославль (4852)69-52-93

<https://sika.nt-rt.ru/> || skx@nt-rt.ru

Types and dimensions

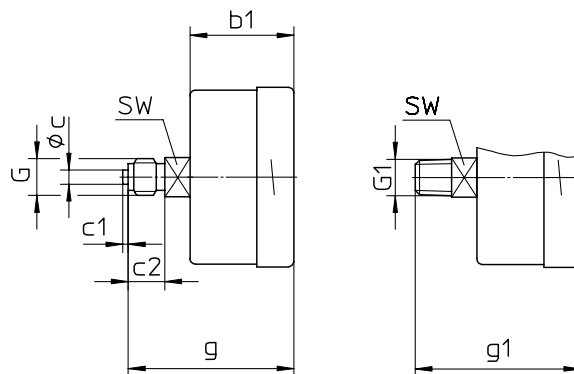
Without mounting flange, NS 63

Bottom connection



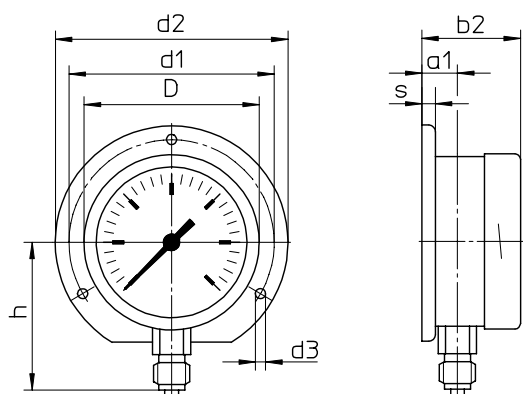
Without mounting flange, NS 63

Central back connection



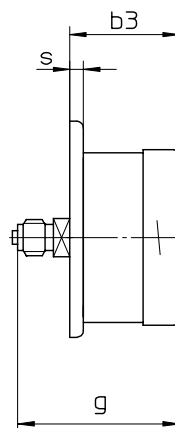
With rear flange, NS 63

Bottom connection



With rear flange, NS 63

Central back connection*



Case Ventilation

NS 63 / 100 mm (filled) with case ventilation closeable.

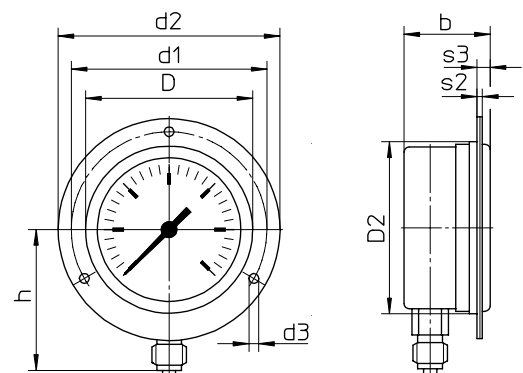
NS 160 mm (filled) with Blow-out device. Ventilation required for internal pressure compensation.



NS 63 mm / 100 mm
Case ventilation closeable

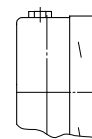
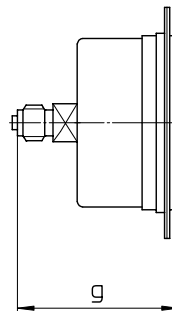
With front flange, NS 63

Bottom connection*, **



With front flange, NS 63

Central back connection**



NS 160 mm
Blow-out device

* Available upon request, but according to EN 837-3 not recommended

** Front flange with slotted holes, separate cover ring, recommended panel cut out; $\varnothing 67 \pm 0,3$ mm

MKE NS 63

Dimensions [mm]

NS	a	a1	b	b1	b2	b3	c	c1	c2	c3	D	D1	D2
63, unfilled	10	13	38	37	41	40	5	2	13	13	64	62	66
63, filled	10	13	47	37	50	40	5	2	13	13	64	62	66
10-times overload													
63, unfilled	10	13	47	47	50	50	5	2	13	13	64	62	66
63, filled	10	13	47	47	50	50	5	2	13	13	64	62	66

Dimensions [mm]

NS	d1	d2	d3	G	G1	g	g1	h ^{z1}	h1 ^{z1}	s	s1	s3	SW	Weight [kg] (approx.)*
63, unfilled	75	85	3.6	G¼ B M12 x 1.5	¼ NPT	60	60	54	54	5	2	5.5	14	0.21
63, filled	75	85	3.6	G¼ B M12 x 1.5	¼ NPT	60	60	54	54	5	2	5.5	14	0.26
10-times overload														
63, unfilled	75	85	3.6	G¼ B M12 x 1.5	¼ NPT	70	70	54	54	5	2	5.5	14	0.21
63, filled	75	85	3.6	G¼ B M12 x 1.5	¼ NPT	70	70	54	54	5	2	5.5	14	0.26

MKE NS 100 / 160

Dimensions [mm]

NS	D	D1	D2	a	a1	b	b1	b2	b3	c	c1	c2	c3	d1	d2
100 ≤16 mbar	101	99	103	15.5	19	55	55	59	59	6	3	20	19	116	132
100 ≥25 mbar	101	99	103	20	23	55	55	59	59	6	3	20	19	116	132
160 ≤16 mbar	161	159	163	15	18	55	55	58	58	6	3	20	19	178	196
160 ≥25 mbar	161	159	163	15	18	51	51	54	54	6	3	20	19	178	196

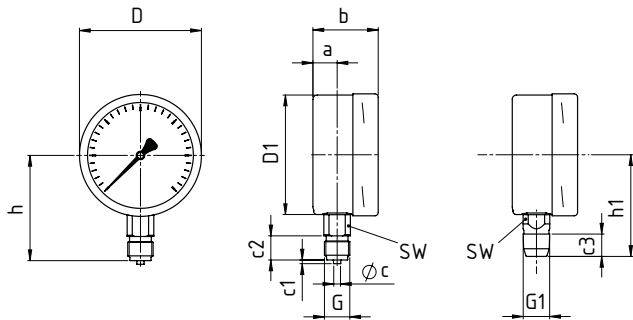
Dimensions [mm]

NS	d3	G	G1	g	g1	h ^{z1}	h1 ^{z1}	s	s1	s2	s3	s5	SW	unfilled	filled
100 ≤16 mbar	4.8	G½ B M20 x 1.5	½ NPT	85	84	87	84	6	1	2	5.5	7	22	0.60	0.95
100 ≥25 mbar	4.8	G½ B M20 x 1.5	½ NPT	85	84	87	84	6	1	2	5.5	7	22	0.60	0.95
160 ≤16 mbar	5.8	G½ B M20 x 1.5	½ NPT	85	84	115	114	6	1.5	2.5	6	8	22	1.00	1.80
160 ≥25 mbar	5.8	G½ B M20 x 1.5	½ NPT	81	80	115	114	6	1.5	2.5	6	8	22	0.95	1.80

* This information is provided as an example and relates to the version without flange.

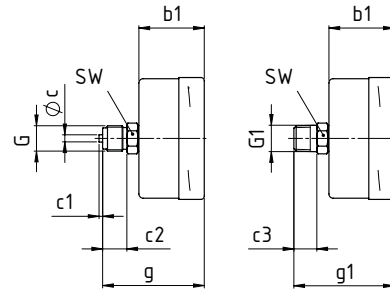
Without mounting flange, NS 100 / 160

Bottom connection



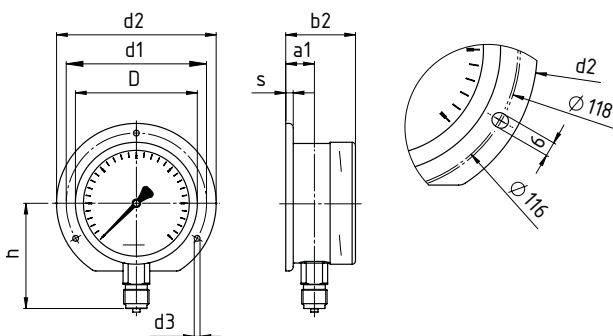
Without mounting flange, NS 100 / 160

Central back connection



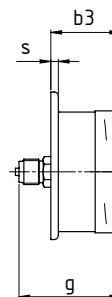
With rear flange NS 100 / 160

Bottom connection*



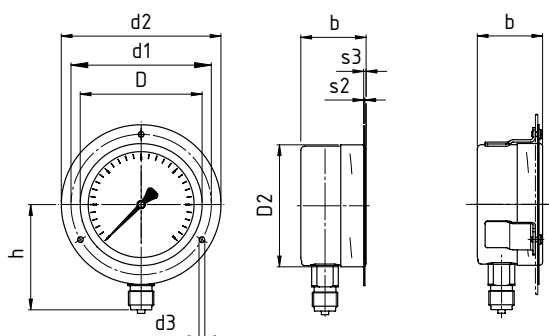
With rear flange NS 100 / 160

Central back connection**



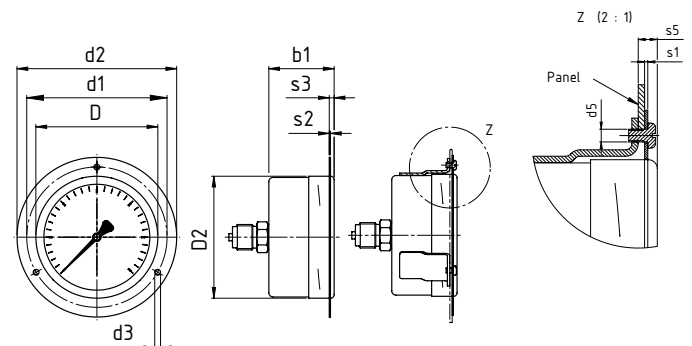
With front flange NS 100 / 160

Bottom connection**, ***



With front flange NS 100 / 160

Central back connection***, ****



* NS 100 rear mounting flange for surface mounting, optionally available with slotted holes according to EN 837-3

** Available upon request, but according to EN 837-3 not recommended

*** Filled: welded brackets and removable front flange

**** Recommended panel cut out bei NS 100 $\varnothing 104 \pm 0,5$ mm, NS160 $\varnothing 164 \pm 0,5$ mm

Order example

Capsule element pressure gauges (unfilled)										
Bayonet ring case						MKE				
Nominal size										
63 mm						1				
100 mm						3				
160 mm						4				
Connection thread										
NS 63 mm case		G $\frac{1}{4}$ B bottom				1				
		G $\frac{1}{4}$ B central back connection				5				
		M12 x 1.5 bottom				3				
		M12 x 1.5 central back connection				6				
		$\frac{1}{4}$ NPT bottom				M				
		$\frac{1}{4}$ NPT central back connection				S				
NS 100 mm / NS 160 mm case		G $\frac{1}{2}$ B bottom				1				
		G $\frac{1}{2}$ B central back connection				2				
		M20 x 1.5 bottom				3				
		M20 x 1.5 central back connection				4				
		$\frac{1}{2}$ NPT bottom				B				
		$\frac{1}{2}$ NPT central back connection				C				
Connection material										
Brass						1				
Stainless steel						3				
Display ranges										
-2.5...0 mbar*		only NS 100 and 160 mm				344				
-4...0 mbar		only NS 100 and 160 mm				345				
-6...0 mbar		only NS 100 and 160 mm				346				
-10...0 mbar		only NS 100 and 160 mm				356				
-16...0 mbar		only NS 100 and 160 mm				366				
-25...0 mbar						376				
-40...0 mbar						386				
-60...0 mbar						396				
-100...0 mbar						406				
-160...0 mbar						416				
-250...0 mbar						426				
-400...0 mbar						436				
-600...0 mbar						446				
0...2.5 mbar		only NS 100 and 160 mm				046				
0...4 mbar		only NS 100 and 160 mm				056				
0...6 mbar		only NS 100 and 160 mm				066				
0...10 mbar		only NS 100 and 160 mm				076				
0...16 mbar		only NS 100 and 160 mm				086				
0...25 mbar						096				
0...40 mbar						106				
0...60 mbar						116				
0...100 mbar						126				
0...160 mbar						136				
0...250 mbar						146				
0...400 mbar						156				
0...600 mbar						166				
Mounting flange										
None						0				
Rear flange						1				
Front flange						2				
Options										
None						0				
Filled case										
Unfilled case						0				
Example article number										
			MKE	3	1	3	356	0	0	0

* NS 100 = 180 angular degrees.

Order code											
Capsule element pressure gauges (filled)											
Bayonet ring case stainless steel		MKE									
Nominal size											
63 mm		1									
100 mm		3									
160 mm		4									
Connection thread											
NS 63 mm		G¼ B bottom		1							
		G¼ B central back connection		5							
		M12 x 1.5 bottom		3							
		M12 x 1.5 central back connection		6							
		¼ NPT bottom		M							
		¼ NPT central back connection		S							
NS 100 mm / NS 160 mm		G½ B bottom		1							
		G½ B central back connection		2							
		M20 x 1.5 bottom		3							
		M20 x 1.5 central back connection		4							
		½ NPT bottom		B							
		½ NPT central back connection		C							
Connection material											
Brass				1							
Stainless steel				3							
Display ranges											
-100...0 mbar								406			
-160...0 mbar								416			
-250...0 mbar								426			
-400...0 mbar								436			
-600...0 mbar								446			
0...100 mbar								126			
0...160 mbar								136			
0...250 mbar								146			
0...400 mbar								156			
0...600 mbar								166			
Mounting flange											
None								0			
Rear flange								1			
Front flange								2			
Options											
None										0	
Filled case											
Filled case (glycerine)										G	
Example article number		MKE		1		1		1		406	
				0		0		0		G	

Архангельск (8182)63-90-72
 Астана (7172)727-132
 Астрахань (8512)99-46-04
 Барнаул (3852)73-04-60
 Белгород (4722)40-23-64
 Брянск (4832)59-03-52
 Владивосток (423)249-28-31
 Волгоград (844)278-03-48
 Вологда (8172)26-41-59
 Воронеж (473)204-51-73
 Екатеринбург (343)384-55-89
 Иваново (4932)77-34-06

Ижевск (3412)26-03-58
 Иркутск (395)279-98-46
 Казань (843)206-01-48
 Калининград (4012)72-03-81
 Калуга (4842)92-23-67
 Кемерово (3842)65-04-62
 Киров (8332)68-02-04
 Краснодар (861)203-40-90
 Красноярск (391)204-63-61
 Курск (4712)77-13-04
 Липецк (4742)52-20-81
 Киргизия (996)312-96-26-47

Магнитогорск (3519)55-03-13
 Москва (495)268-04-70
 Мурманск (8152)59-64-93
 Набережные Челны (8552)20-53-41
 Нижний Новгород (831)429-08-12
 Новокузнецк (3843)20-46-81
 Новосибирск (383)227-86-73
 Омск (3812)21-46-40
 Орел (4862)44-53-42
 Оренбург (3532)37-68-04
 Пенза (8412)22-31-16
 Казахстан (772)734-952-31

Пермь (342)205-81-47
 Ростов-на-Дону (863)308-18-15
 Рязань (4912)46-61-64
 Самара (846)206-03-16
 Санкт-Петербург (812)309-46-40
 Саратов (845)249-38-78
 Севастополь (8692)22-31-93
 Симферополь (3652)67-13-56
 Смоленск (4812)29-41-54
 Сочи (862)225-72-31
 Ставрополь (8652)20-65-13
 Таджикистан (992)427-82-92-69

Сургут (3462)77-98-35
 Тверь (4822)63-31-35
 Томск (3822)98-41-53
 Тула (4872)74-02-29
 Тюмень (3452)66-21-18
 Ульяновск (8422)24-23-59
 Уфа (347)229-48-12
 Хабаровск (4212)92-98-04
 Челябинск (351)202-03-61
 Череповец (8202)49-02-64
 Ярославль (4852)69-52-93

<https://sika.nt-rt.ru/> || skx@nt-rt.ru