

Bourdon tube pressure gauges // high-pressure version // Type MRE-S-HD



Type MRE-S-HD

Your advantages

Type	MRE-S-HD
	<ul style="list-style-type: none"> • Case complete stainless steel • Without electrical auxiliary power • Safety version according to EN 873-1 S3 • With blow-out rear wall • Laminated safety glass window

Technical data

Type	MRE-S-HD
Version	Bayonet ring case
Nominal size	100 mm, 160 mm
Accuracy	EN 837-1, class 1.0
Medium / Application	Liquid media (in hydraulic systems up to 4000 bar)
Process connection	High pressure process connection, female thread M16 x 1.5 and sealing cone for 1/4" tube
Measurement system	Bourdon spring stainless steel or nickel-iron alloy
Degree of protection according to EN 60529	IP54 (IP65 for filled cases)
Ambient temperature	-40 to 60 °C [-20 to 60 °C with case filling]
Storage temperature	-40 to 70 °C [-20 to 70 °C with case filling]
Medium temperature	max. 200 °C (max. 100 °C with case filling)
Nominal use temperature	20 °C*
Pressure load capacity	Of full-scale value
→ Resting load	100 %
→ Dynamic load	65 %
→ Overload	Max.

Архангельск (8182)63-90-72
 Астана (7172)727-132
 Астрахань (8512)99-46-04
 Барнаул (3852)73-04-60
 Белгород (4722)40-23-64
 Брянск (4832)59-03-52
 Владивосток (423)249-28-31
 Волгоград (844)278-03-48
 Вологда (8172)26-41-59
 Воронеж (473)204-51-73
 Екатеринбург (343)384-55-89
 Иваново (4932)77-34-06

Ижевск (3412)26-03-58
 Иркутск (395)279-98-46
 Казань (843)206-01-48
 Калининград (4012)72-03-81
 Калуга (4842)92-23-67
 Кемерово (3842)65-04-62
 Киров (8332)68-02-04
 Краснодар (861)203-40-90
 Красноярск (391)204-63-61
 Курск (4712)77-13-04
 Липецк (4742)52-20-81
 Киргизия (996)312-96-26-47

Магнитогорск (3519)55-03-13
 Москва (495)268-04-70
 Мурманск (8152)59-64-93
 Набережные Челны (8552)20-53-41
 Нижний Новгород (831)429-08-12
 Новокузнецк (3843)20-46-81
 Новосибирск (383)227-86-73
 Омск (3812)21-46-40
 Орел (4862)44-53-42
 Оренбург (3532)37-68-04
 Пенза (8412)22-31-16
 Казахстан (772)734-952-31

Пермь (342)205-81-47
 Ростов-на-Дону (863)308-18-15
 Рязань (4912)46-61-64
 Самара (846)206-03-16
 Санкт-Петербург (812)309-46-40
 Саратов (845)249-38-78
 Севастополь (8692)22-31-93
 Симферополь (3652)67-13-56
 Смоленск (4812)29-41-54
 Сочи (862)225-72-31
 Ставрополь (8652)20-65-13
 Таджикистан (992)427-82-92-69

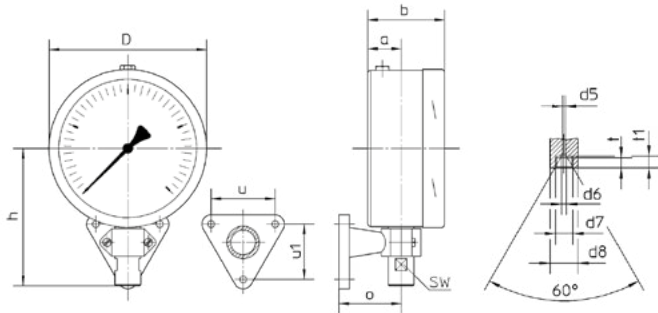
Сургут (3462)77-98-35
 Тверь (4822)63-31-35
 Томск (3822)98-41-53
 Тула (4872)74-02-29
 Тюмень (3452)66-21-18
 Ульяновск (8422)24-23-59
 Уфа (347)229-48-12
 Хабаровск (4212)92-98-04
 Челябинск (351)202-03-61
 Череповец (8202)49-02-64
 Ярославль (4852)69-52-93

<https://sika.nt-rt.ru/> || skx@nt-rt.ru

Types and dimensions

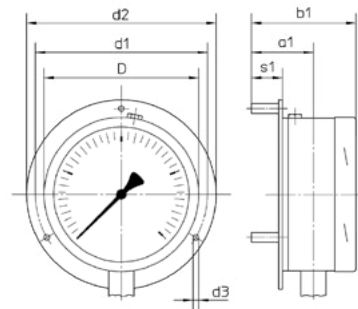
Without mounting flange *, NS 160 with wall bracket

Bottom connection



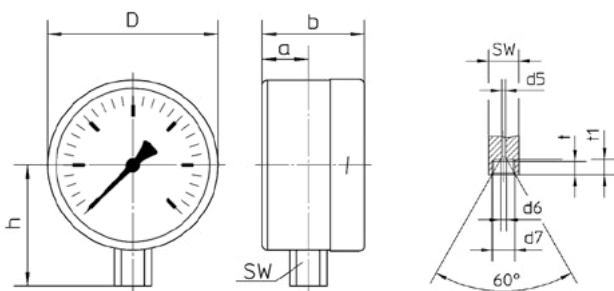
With rear flange **

Bottom connection



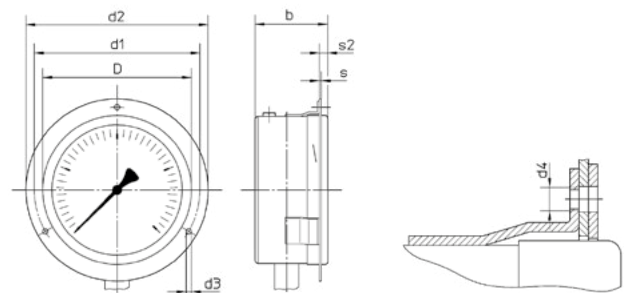
Without mounting flange, NS 100

Bottom connection



With front flange ***

Bottom connection



* An aluminium wall bracket with black finish and 60 mm protrusion is included in the price for this version (scale range 0...4000 bar).

** This version comes with three separate standoffs. They must always be fitted when the gauge is installed in order to ensure proper functioning of the blow out back wall spacers.

*** Version with three fixing lugs welded to the case and a separate trim ring with three holes.

Dimensions [mm]

NS	D	d1	d2	d3	d4	d5	d6	d7	d8	a	a1	b	b1
100	101	116	132	4.8	M4	2.5	4.3	M16 x 1.5 HD	-	27	52	60	90
160	161	178	196	5.8	M5	2.5	4.3	M16 x 1.5 HD	26	34	64	78	108

Dimensions [mm]

NS	Dimensions [mm]										Weight [kg] (approx.)*	
	h ^{z1}	o	s	s1	s2	t	t1	u	u1	SW	unfilled	filled
100	71	-	1	26	7	9.5	11	-	-	22	0.65	1.00
160	139	63	1.5	32	8	9.5	11	65	56	22	2.00	3.10

* Data applies to versions without mounting flange

Order code													
Bourdon tube safety pressure gauges, high-pressure version													
Bayonet ring case						MRESHD							
Nominal size													
100 mm						3							
160 mm						4							
Connection thread													
High-pressure bottom connection (M16x1.5 female thread and sealing cone for 1/4" tube)						H							
Connection material													
Stainless steel						3							
Display ranges													
0...1600 bar						185							
0...2500 bar						195							
0...3500 bar						200							
0...4000 bar						205							
Mounting flange													
None						0							
Rear flange						1							
Front flange						2							
Options													
None						0							
Filled case													
Unfilled case						0							
Filled case (glycerine)						G							
Example order number						MRESHD	3	H	3	185	0	0	0

Архангельск (8182)63-90-72
 Астана (7172)727-132
 Астрахань (8512)99-46-04
 Барнаул (3852)73-04-60
 Белгород (4722)40-23-64
 Брянск (4832)59-03-52
 Владивосток (423)249-28-31
 Волгоград (844)278-03-48
 Вологда (8172)26-41-59
 Воронеж (473)204-51-73
 Екатеринбург (343)384-55-89
 Иваново (4932)77-34-06

Ижевск (3412)26-03-58
 Иркутск (395)279-98-46
 Казань (843)206-01-48
 Калининград (4012)72-03-81
 Калуга (4842)92-23-67
 Кемерово (3842)65-04-62
 Киров (8332)68-02-04
 Краснодар (861)203-40-90
 Красноярск (391)204-63-61
 Курск (4712)77-13-04
 Липецк (4742)52-20-81
 Киргизия (996)312-96-26-47

Магнитогорск (3519)55-03-13
 Москва (495)268-04-70
 Мурманск (8152)59-64-93
 Набережные Челны (8552)20-53-41
 Нижний Новгород (831)429-08-12
 Новокузнецк (3843)20-46-81
 Новосибирск (383)227-86-73
 Омск (3812)21-46-40
 Орел (4862)44-53-42
 Оренбург (3532)37-68-04
 Пенза (8412)22-31-16
 Казахстан (772)734-952-31

Пермь (342)205-81-47
 Ростов-на-Дону (863)308-18-15
 Рязань (4912)46-61-64
 Самара (846)206-03-16
 Санкт-Петербург (812)309-46-40
 Саратов (845)249-38-78
 Севастополь (8692)22-31-93
 Симферополь (3652)67-13-56
 Смоленск (4812)29-41-54
 Сочи (862)225-72-31
 Ставрополь (8652)20-65-13
 Таджикистан (992)427-82-92-69

Сургут (3462)77-98-35
 Тверь (4822)63-31-35
 Томск (3822)98-41-53
 Тула (4872)74-02-29
 Тюмень (3452)66-21-18
 Ульяновск (8422)24-23-59
 Уфа (347)229-48-12
 Хабаровск (4212)92-98-04
 Челябинск (351)202-03-61
 Череповец (8202)49-02-64
 Ярославль (4852)69-52-93

<https://sika.nt-rt.ru/> || skx@nt-rt.ru