

Bourdon tube pressure gauges // Precision version // Type MFE



Type MFE

Your advantages

Type	MFE
	<ul style="list-style-type: none"> • Suitable for outdoor use - Closed system • Case complete stainless steel • Without electrical auxiliary power

Technical data

Type	MFE
Version	Bayonet ring case
Nominal size	100 mm, 160 mm, 250 mm
Accuracy	EN 837-1, class 0.6
Medium / Application	Liquid, non-viscous and non-crystalline as well as gaseous media
Process connection	Thread see table, brass or stainless steel
Measurement system	Bourdon spring bronze or copper alloy
Degree of protection according to EN 60529	IP54 (IP65 for filled cases)
Ambient temperature	-40 to 60 °C [-20 to 60 °C with case filling]
Storage temperature	-40 to 70 °C [-20 to 70 °C with case filling]
Medium temperature	max. 200 °C (max. 100 °C with case filling)
Nominal use temperature	20 °C*
Pressure load capacity	Of full-scale value
→ Resting load	Max.
→ Dynamic load	90 %
→ Overload	Max. 130 %

Архангельск (8182)63-90-72
 Астана (7172)727-132
 Астрахань (8512)99-46-04
 Барнаул (3852)73-04-60
 Белгород (4722)40-23-64
 Брянск (4832)59-03-52
 Владивосток (423)249-28-31
 Волгоград (844)278-03-48
 Вологда (8172)26-41-59
 Воронеж (473)204-51-73
 Екатеринбург (343)384-55-89
 Иваново (4932)77-34-06

Ижевск (3412)26-03-58
 Иркутск (395)279-98-46
 Казань (843)206-01-48
 Калининград (4012)72-03-81
 Калуга (4842)92-23-67
 Кемерово (3842)65-04-62
 Киров (8332)68-02-04
 Краснодар (861)203-40-90
 Красноярск (391)204-63-61
 Курск (4712)77-13-04
 Липецк (4742)52-20-81
 Киргизия (996)312-96-26-47

Магнитогорск (3519)55-03-13
 Москва (495)268-04-70
 Мурманск (8152)59-64-93
 Набережные Челны (8552)20-53-41
 Нижний Новгород (831)429-08-12
 Новокузнецк (3843)20-46-81
 Новосибирск (383)227-86-73
 Омск (3812)21-46-40
 Орел (4862)44-53-42
 Оренбург (3532)37-68-04
 Пенза (8412)22-31-16
 Казахстан (772)734-952-31

Пермь (342)205-81-47
 Ростов-на-Дону (863)308-18-15
 Рязань (4912)46-61-64
 Самара (846)206-03-16
 Санкт-Петербург (812)309-46-40
 Саратов (845)249-38-78
 Севастополь (8692)22-31-93
 Симферополь (3652)67-13-56
 Смоленск (4812)29-41-54
 Сочи (862)225-72-31
 Ставрополь (8652)20-65-13
 Таджикистан (992)427-82-92-69

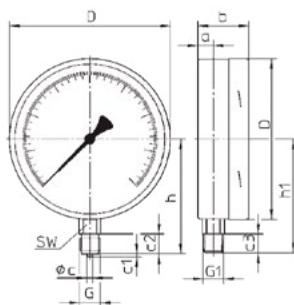
Сургут (3462)77-98-35
 Тверь (4822)63-31-35
 Томск (3822)98-41-53
 Тула (4872)74-02-29
 Тюмень (3452)66-21-18
 Ульяновск (8422)24-23-59
 Уфа (347)229-48-12
 Хабаровск (4212)92-98-04
 Челябинск (351)202-03-61
 Череповец (8202)49-02-64
 Ярославль (4852)69-52-93

<https://sika.nt-rt.ru/> || skx@nt-rt.ru

Types and dimensions

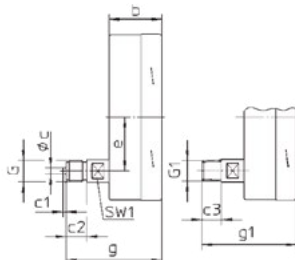
Without mounting flange

Bottom connection



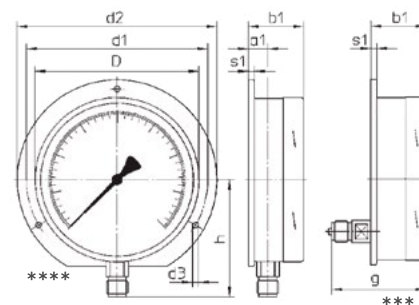
Without mounting flange

Lower back connection



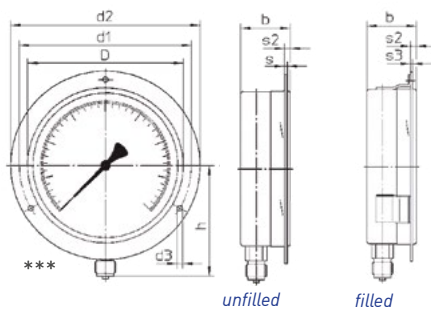
With rear mounting flange*

Bottom or lower back connection***



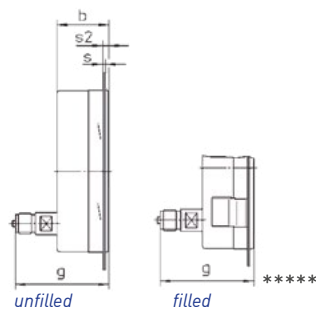
With front mounting flange

Connection at bottom**



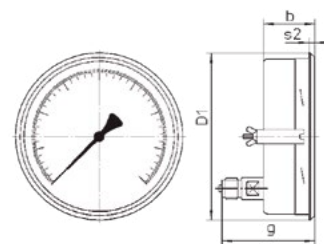
With front mounting flange

Lower back connection**



With u-clamp

Connection at lower back



* Nominal size 250, with lugs

** Unfilled version, with fixed front ring, with oval holes and separate trim ring for nominal size 160

Filled version, with lugs welded onto case and separate front ring

*** Available on request, but not recommended by EN 837-1.

**** NS 100 optionally available with oval holes compliant with EN 837-1.

***** Recommended panel opening: $\varnothing 104 \pm 0.5$ mm for NS 100; $\varnothing 164 \pm 0.5$ mm for NS 160; $\varnothing 254 \pm 0.5$ mm for NS 250

Dimensions [mm]

NS	a	a1	b	b1	c	c1	c2	c3	D	D1	d1	d2	d3	e	g	g1
100	20	23.5	55	58.5	6	3	20	19	101	99	116	132	4.8	30	97	96
160	15.5	19	51	54	6	3	20	19	161	167	178	196	5.8	52	92.5	91.5
250	15.5	17.5	58	60	6	3	20	19	251	-	270	285	5.8	52	97	96

Dimensions [mm]

NS	G	G1	Dimensions [mm]								Weight [kg] (approx.)*	
			$h^{\pm 1}$	$h1^{\pm 1}$	s	s1	s2	s3	SW	SW1	unfilled	filled
100	G $\frac{1}{2}$ B	$\frac{1}{2}$ NPT	87	84	2	6	5.5	-	22	17	0.60	0.95
160	M20 x 1.5		115	114	2.5	6	6	1.5	22	17	1.10	1.95
250			165	164	2	2	7	2	22	17	2.10	-

* Data applies to versions without mounting flange

Order code									
Bourdon tube pressure gauges, precision version									
Bayonet ring case	MFE								
Nominal size									
100 mm		3							
160 mm		4							
250 mm		5							
Connection thread									
G½ B bottom			1						
G½ B lower back connection			2						
M20 x 1.5 bottom			3						
M20 x 1.5 lower back connection			4						
G¾ B bottom			7						
½ NPT bottom			B						
½ NPT lower back connection			C						
Connection material									
Brass				1					
Stainless steel				3					
Display ranges									
-1...0 bar							315		
-1...0,6 bar							505		
-1...1,5 bar							515		
-1...3 bar							525		
-1...5 bar							535		
-1...9 bar							545		
-1...15 bar							555		
0...0,6 bar							015		
0...1 bar							025		
0...1,6 bar							035		
0...2,5 bar							045		
0...4 bar							055		
0...6 bar							065		
0...10 bar							075		
0...16 bar							085		
0...25 bar							095		
0...40 bar							105		
0...60 bar							115		
0...100 bar							125		
0...160 bar							135		
0...250 bar							145		
0...400 bar							155		
0...600 bar							165		
0...1000 bar	only with stainless steel connection (not available for NS 100)						175		
0...1600 bar	only with stainless steel connection (not available for NS 100)						185		
Mounting flange									
None								0	
Rear flange								1	
Front flange								2	
U-clamp	only with 100 and 160 mm nominal size (unfilled)							3	
Options									
None									0
Filled case									
Unfilled case									0
Filled case (glycerine)	only with 100 and 160 mm nominal size								G
Example order number		MFE	3	1	1	315	0	0	0

Архангельск (8182)63-90-72
 Астана (7172)727-132
 Астрахань (8512)99-46-04
 Барнаул (3852)73-04-60
 Белгород (4722)40-23-64
 Брянск (4832)59-03-52
 Владивосток (423)249-28-31
 Волгоград (844)278-03-48
 Вологда (8172)26-41-59
 Воронеж (473)204-51-73
 Екатеринбург (343)384-55-89
 Иваново (4932)77-34-06

Ижевск (3412)26-03-58
 Иркутск (395)279-98-46
 Казань (843)206-01-48
 Калининград (4012)72-03-81
 Калуга (4842)92-23-67
 Кемерово (3842)65-04-62
 Киров (8332)68-02-04
 Краснодар (861)203-40-90
 Красноярск (391)204-63-61
 Курск (4712)77-13-04
 Липецк (4742)52-20-81
 Киргизия (996)312-96-26-47

Магнитогорск (3519)55-03-13
 Москва (495)268-04-70
 Мурманск (8152)59-64-93
 Набережные Челны (8552)20-53-41
 Нижний Новгород (831)429-08-12
 Новокузнецк (3843)20-46-81
 Новосибирск (383)227-86-73
 Омск (3812)21-46-40
 Орел (4862)44-53-42
 Оренбург (3532)37-68-04
 Пенза (8412)22-31-16
 Казахстан (772)734-952-31

Пермь (342)205-81-47
 Ростов-на-Дону (863)308-18-15
 Рязань (4912)46-61-64
 Самара (846)206-03-16
 Санкт-Петербург (812)309-46-40
 Саратов (845)249-38-78
 Севастополь (8692)22-31-93
 Симферополь (3652)67-13-56
 Смоленск (4812)29-41-54
 Сочи (862)225-72-31
 Ставрополь (8652)20-65-13
 Таджикистан (992)427-82-92-69

Сургут (3462)77-98-35
 Тверь (4822)63-31-35
 Томск (3822)98-41-53
 Тула (4872)74-02-29
 Тюмень (3452)66-21-18
 Ульяновск (8422)24-23-59
 Уфа (347)229-48-12
 Хабаровск (4212)92-98-04
 Челябинск (351)202-03-61
 Череповец (8202)49-02-64
 Ярославль (4852)69-52-93

<https://sika.nt-rt.ru/> || skx@nt-rt.ru