

# Flow switches // VHS09, VK309 // for insertion installation



VHS09



VK309

## Your advantages

Series	VHS09 / VK309
	<ul style="list-style-type: none"> <li>• Universal flow switches for copper pipe Ø 32...88.9</li> <li>• Adjustable for pipe size and setpoint by trimming the paddle</li> <li>• Soldering adapter for copper pipes</li> </ul>

Technical data	VHS09	VK309
<b>Switching function</b>	Contact → closes at increasing flow → opens at decreasing flow Reversing possible	Contact → closes at increasing flow → opens at decreasing flow
<b>Pressure rating</b>	PN 25	PN 10
<b>Temperature ranges</b>		
<b>Medium</b>	-25...110 °C	-25...100 °C
<b>Ambient</b>	-25...80 °C	-25...70 °C
<b>Electrical data</b>		
<b>Electrical connection</b>	Plug connector DIN EN 175301-803-A incl. cable socket	1.5 m PVC jacket cable
<b>Switching current</b>	Max. 1 A	
<b>Switching voltage</b>	Max. 230 VAC, 48 VDC	
<b>Rating</b>	Max. 26 VA, 20 W	
<b>Degree of protection EN 60529</b>	IP65	
<b>Protection class EN 60730-1</b>	Class II	

## Approvals



Архангельск (8182)63-90-72  
Астана (7172)727-132  
Астрахань (8512)99-46-04  
Барнаул (3852)73-04-60  
Белгород (4722)40-23-64  
Брянск (4832)59-03-52  
Владивосток (423)249-28-31  
Волгоград (844)278-03-48  
Вологда (8172)26-41-59  
Воронеж (473)204-51-73  
Екатеринбург (343)384-55-89  
Иваново (4932)77-34-06

Ижевск (3412)26-03-58  
Иркутск (395)279-98-46  
Казань (843)206-01-48  
Калининград (4012)72-03-81  
Калуга (4842)92-23-67  
Кемерово (3842)65-04-62  
Киров (8332)68-02-04  
Краснодар (861)203-40-90  
Красноярск (391)204-63-61  
Курск (4712)77-13-04  
Липецк (4742)52-20-81  
Киргизия (996)312-96-26-47

Магнитогорск (3519)55-03-13  
Москва (495)268-04-70  
Мурманск (8152)59-64-93  
Набережные Челны (8552)20-53-41  
Нижний Новгород (831)429-08-12  
Новокузнецк (3843)20-46-81  
Новосибирск (383)227-86-73  
Омск (3812)21-46-40  
Орел (4862)44-53-42  
Оренбург (3532)37-68-04  
Пенза (8412)22-31-16  
Казахстан (772)734-952-31

Пермь (342)205-81-47  
Ростов-на-Дону (863)308-18-15  
Рязань (4912)46-61-64  
Самара (846)206-03-16  
Санкт-Петербург (812)309-46-40  
Саратов (845)249-38-78  
Севастополь (8692)22-31-93  
Симферополь (3652)67-13-56  
Смоленск (4812)29-41-54  
Сочи (862)225-72-31  
Ставрополь (8652)20-65-13  
Таджикистан (992)427-82-92-69

Сургут (3462)77-98-35  
Тверь (4822)63-31-35  
Томск (3822)98-41-53  
Тула (4872)74-02-29  
Тюмень (3452)66-21-18  
Ульяновск (8422)24-23-59  
Уфа (347)229-48-12  
Хабаровск (4212)92-98-04  
Челябинск (351)202-03-61  
Череповец (8202)49-02-64  
Ярославль (4852)69-52-93

<https://sika.nt-rt.ru/> || [skx@nt-rt.ru](mailto:skx@nt-rt.ru)

## Options

For type	See order code
VHS09	→ Plug connector DIN EN 175301-803-Aincl.cable socket with two LED for switching voltages 24 V...230 V AC/DC ±20 %, ambient temperature -20...70 °C → or 4-pin-sensor plug M12 x 1
For type	On request
VK309	→ Reversed switching function → Recognized component ETL according to UL & CSA standards

## Set point ranges

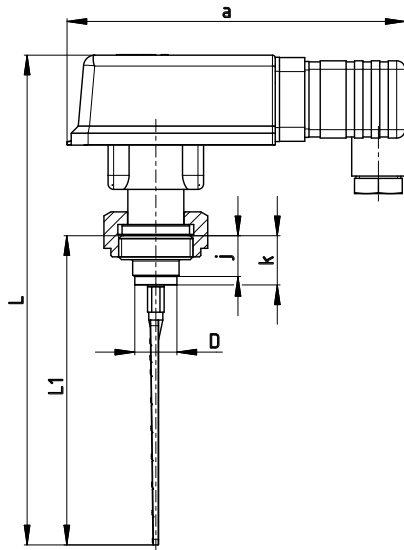
Paddle to be trimmed to									
		Paddle mark	9	15	20	30	40	50	60
		Installation length L <sub>1</sub> [mm]	39	45	50	60	70	80	90
Setpoints* / Max. flow rate [m <sup>3</sup> /h]									
Ø 32 x 1	Increasing flow ON**	2							
	Decreasing flow OFF	1.9							
	Max. flow rate	10							
Ø 35 x 1	Increasing flow ON**	2.6	1.8						
	Decreasing flow OFF	2.4	1.6						
	Max. flow rate	20	13						
Ø 35 x 1.5	Increasing flow ON**	2.5	1.7						
	Decreasing flow OFF	2.2	1.6						
	Max. flow rate	18	12						
Ø 42 x 1.5	Increasing flow ON**	3.9	2.8	2.2					
	Decreasing flow OFF	3.7	2.7	2.1					
	Max. flow rate	30	20	15					
Ø 54 x 1.5	Increasing flow ON**				3.2				
	Decreasing flow OFF				3				
	Max. flow rate				21				
Ø 54 x 2	Increasing flow ON**				3				
	Decreasing flow OFF				2.9				
	Max. flow rate				20				
Ø 64 x 2	Increasing flow ON**		8.6	7.2	5.2	4			
	Decreasing flow OFF		7.9	6.6	4.7	3.7			
	Max. flow rate		53	42	30	24			
Ø 76,1 x 2	Increasing flow ON**		13.6	10.8	8	6.4	5.2		
	Decreasing flow OFF		12.1	10	7.4	5.8	4.7		
	Max. flow rate		80	65	46	35	31		
Ø 88,9 x 2	Increasing flow ON**				10.9	9	7.3	6.1	
	Decreasing flow OFF				10.7	8.4	6.9	5.9	
	Max. flow rate				67	52	42	39	

\* Water, 20 °C, horizontal pipe, tolerance ±15 %

\*\* Typical value

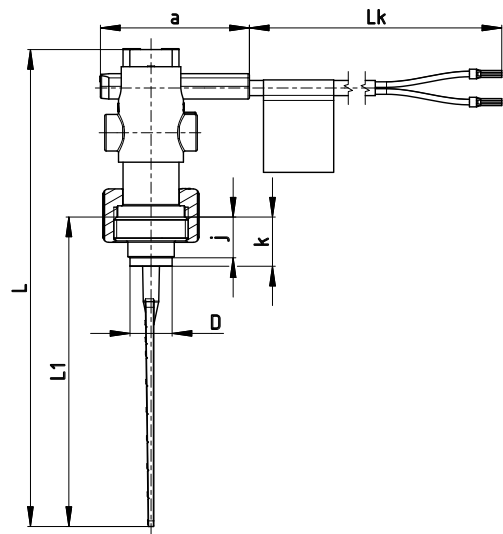
## Dimensions

VHS09



Flow direction

VK309



Flow direction

### Dimensions (mm)

Type	L	L1	D	j	k	a	Lk
VHS09	174	110	Ø 15	14.5	17.5	120	—
VK309	170	110	Ø 15	14.5	17.5	53	1500 ± 10

## Materials

### Materials in contact with fluid

Type	VHS09	VK309
Body	Brass CW614N	PPE+PS Noryl™ 30 % glass fibre reinforced
Paddle / Sleeve	PPE+PS Noryl™ 30 % glass fibre reinforced / Stainless steel	PPE+PS Noryl™ 30 % glass fibre reinforced / Without
Process connection	Brass CW614N	
Pin	Stainless steel 1.4571	Without
Magnet	Hard ferrite	
O-ring	NBR	

## Article numbers

Type	Article Number
<b>VHS09</b>	
Plug connector incl. cable socket (standard)	VHS09M2P171D11
Plug connector incl. cable socket with LED (option)	VHS09M2P191D11
4-pin-sensor plug M12 x 1 (option)	VHS09M2P181D11
<b>VK309</b>	
1.5 m PVC jacket cable	VK309M2P10PD11

**BEST  
SELLER**

Type	Article Number
<b>VHS09</b>	
Plug connector (Standard), Paddle plastic	VHS09M2P171D11

**Архангельск** (8182)63-90-72  
**Астана** (7172)727-132  
**Астрахань** (8512)99-46-04  
**Барнаул** (3852)73-04-60  
**Белгород** (4722)40-23-64  
**Брянск** (4832)59-03-52  
**Владивосток** (423)249-28-31  
**Волгоград** (844)278-03-48  
**Вологда** (8172)26-41-59  
**Воронеж** (473)204-51-73  
**Екатеринбург** (343)384-55-89  
**Иваново** (4932)77-34-06

**Ижевск** (3412)26-03-58  
**Иркутск** (395)279-98-46  
**Казань** (843)206-01-48  
**Калининград** (4012)72-03-81  
**Калуга** (4842)92-23-67  
**Кемерово** (3842)65-04-62  
**Киров** (8332)68-02-04  
**Краснодар** (861)203-40-90  
**Красноярск** (391)204-63-61  
**Курск** (4712)77-13-04  
**Липецк** (4742)52-20-81  
**Киргизия** (996)312-96-26-47

**Магнитогорск** (3519)55-03-13  
**Москва** (495)268-04-70  
**Мурманск** (8152)59-64-93  
**Набережные Челны** (8552)20-53-41  
**Нижний Новгород** (831)429-08-12  
**Новокузнецк** (3843)20-46-81  
**Новосибирск** (383)227-86-73  
**Омск** (3812)21-46-40  
**Орел** (4862)44-53-42  
**Оренбург** (3532)37-68-04  
**Пенза** (8412)22-31-16  
**Казахстан** (772)734-952-31

**Пермь** (342)205-81-47  
**Ростов-на-Дону** (863)308-18-15  
**Рязань** (4912)46-61-64  
**Самара** (846)206-03-16  
**Санкт-Петербург** (812)309-46-40  
**Саратов** (845)249-38-78  
**Севастополь** (8692)22-31-93  
**Симферополь** (3652)67-13-56  
**Смоленск** (4812)29-41-54  
**Сочи** (862)225-72-31  
**Ставрополь** (8652)20-65-13  
**Таджикистан** (992)427-82-92-69

**Сургут** (3462)77-98-35  
**Тверь** (4822)63-31-35  
**Томск** (3822)98-41-53  
**Тула** (4872)74-02-29  
**Тюмень** (3452)66-21-18  
**Ульяновск** (8422)24-23-59  
**Уфа** (347)229-48-12  
**Хабаровск** (4212)92-98-04  
**Челябинск** (351)202-03-61  
**Череповец** (8202)49-02-64  
**Ярославль** (4852)69-52-93

<https://sika.nt-rt.ru/> || [skx@nt-rt.ru](mailto:skx@nt-rt.ru)